

INSTALLATION INSTRUCTIONS- 5' & 6' BEDSLIDE® APPLICATIONS

BEDSLIDE®

DECKED



Heavy!
Team Lift!



Caution

KIT CONTENTS:

A

HARDWARE KIT

- [4] 2" X 5/16" BOLTS
- [4] 5/16" LOC NUTS
- [4] SEALING WASHERS
- [8] 5/16" SERRATED FLANGE NUTS
- [4] 3/8" FLAT WASHERS



NOTE: Mounting a BEDSLIDE® to a DECKED® system will require removal of the deck panels if the system has already been installed in the vehicle. For vehicle specific instructions please visit www.decked.com

TOOLS REQUIRED



HAMMER



1/2" WRENCH



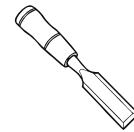
1/4" DRILL BIT



5/16" DRILL BIT



CORDLESS DRILL



CHISEL

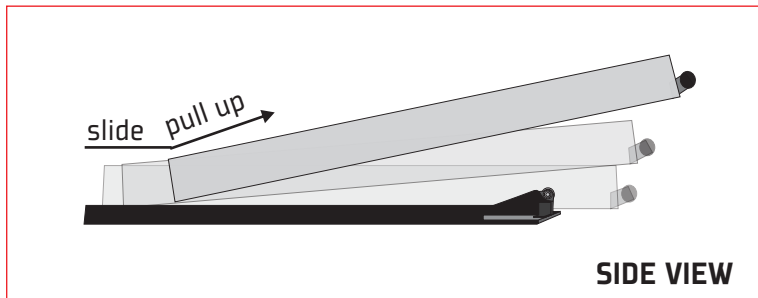
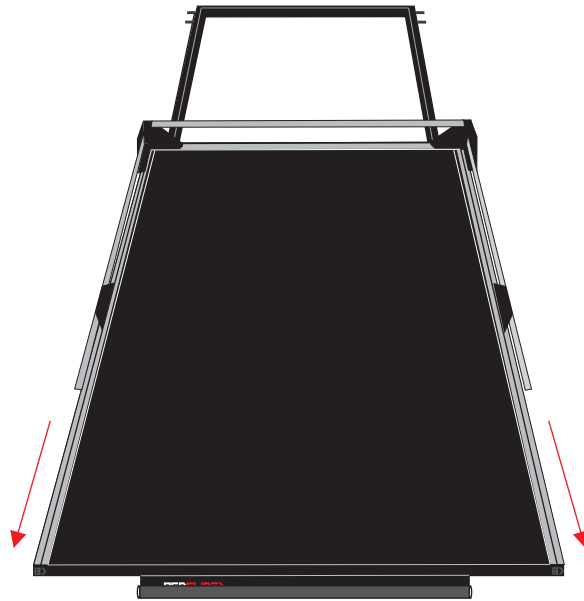


STRAIGHT EDGE

NOTE: READ INSTRUCTIONS COMPLETELY BEFORE ATTEMPTING INSTALLATION.

SEPARATE SLIDING TOP FRAME FROM THE BASE

Fully extend the BEDSLIDE® and remove the top frame by lifting up and out. The welded safety stops must go up and over the rear roller bearings and spacer guides in order for the top frame to release. **This step will require 2 people to help lift!**



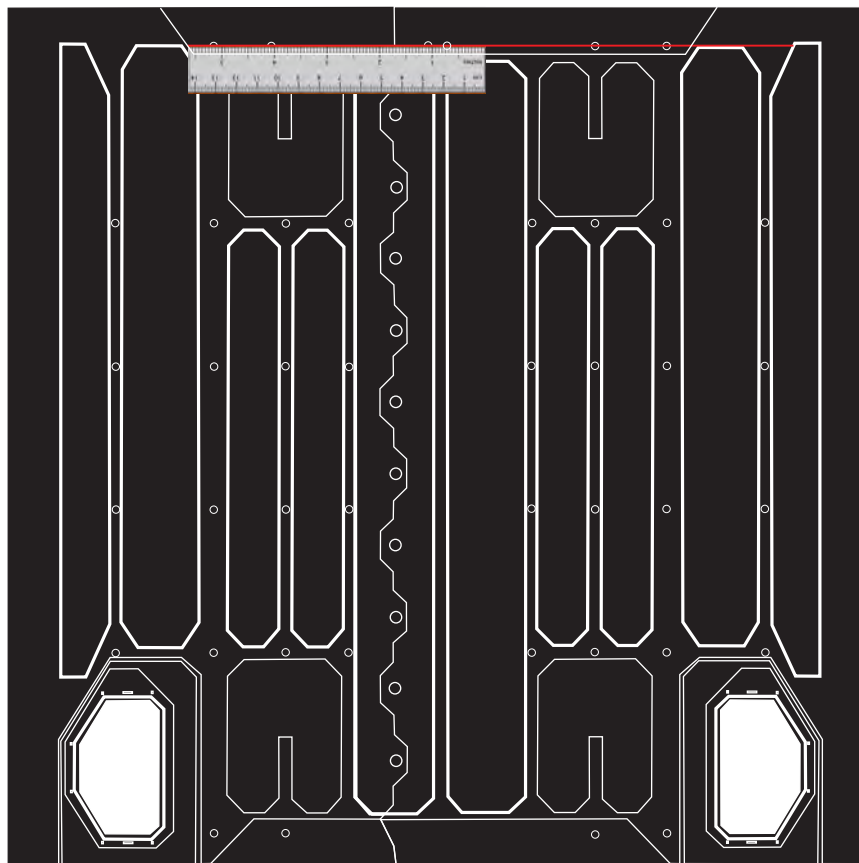
LOCATE STEEL SUPPORT TUBES

Locate steel tube on deck panel that is closest to the cab. **NOTE: Dimples in the panels indicate location of steel tubes.** Using a straight edge or level, mark a center line on the dimples found on the panel.

CAB SIDE

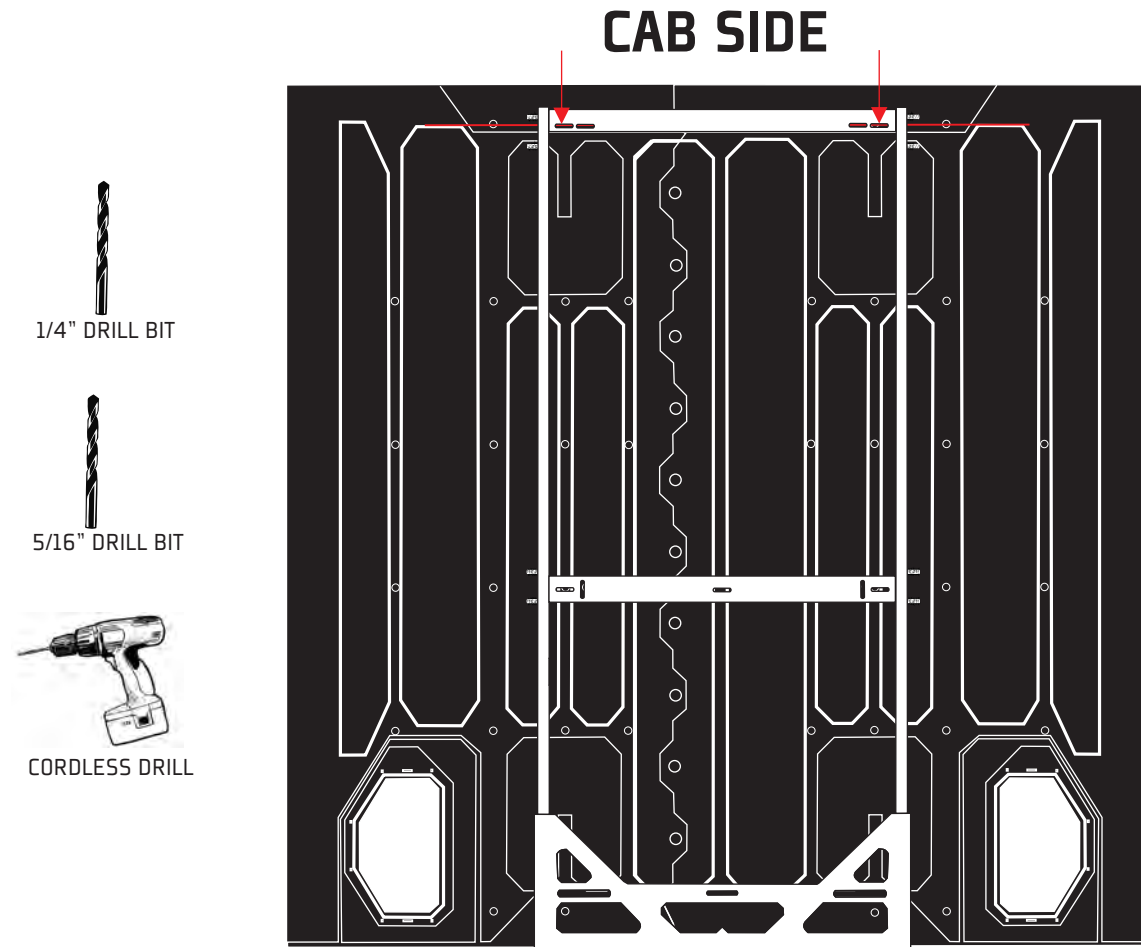


STRAIGHT EDGE



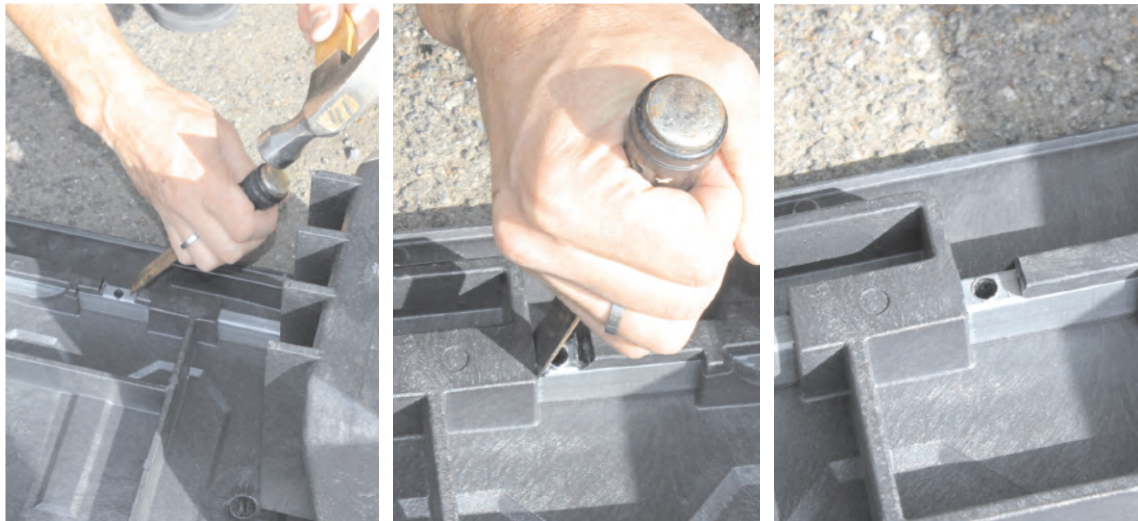
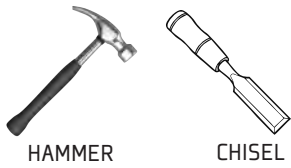
DRILL CAB SIDE MOUNTING HOLES

Center the mounting holes on the cab side cross member of the BEDSLIDE® frame to the center line marked in the previous step. With all the holes centered, drill pilot holes directly through the center of your marked line at each mounting hole closest to the outside edge using a 1/4" bit. Once pilot holes have been drilled make certain the holes are centered to the steel support tube of the DECKED® system. Finish drilling out the holes with a 5/16" bit.



REMOVE HDPE PLASTIC

If necessary, remove HDPE plastic from around pilot holes with a hammer and chisel. Removing this plastic will allow the fastening hardware to rest flush against the steel supports.

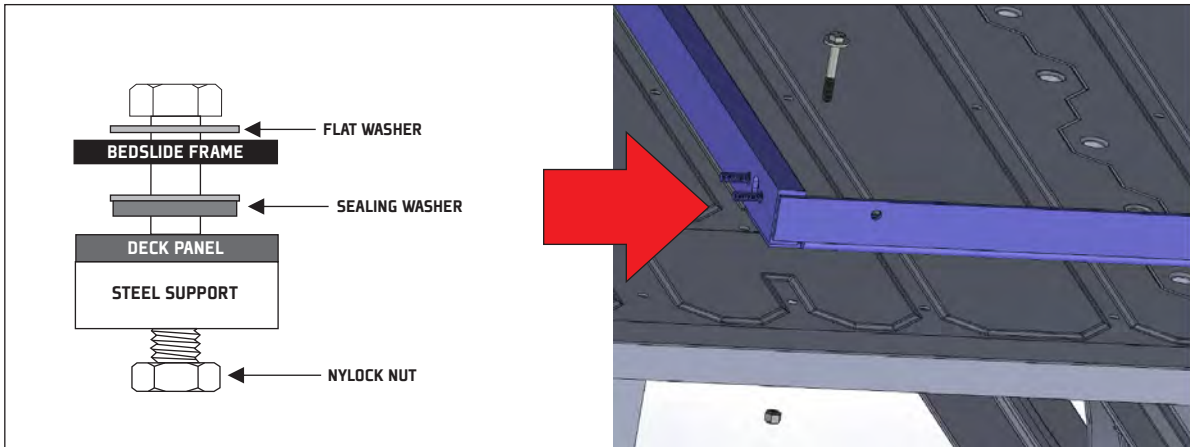


LOOSELY SECURE THE CAB SIDE OF THE BASE FRAME

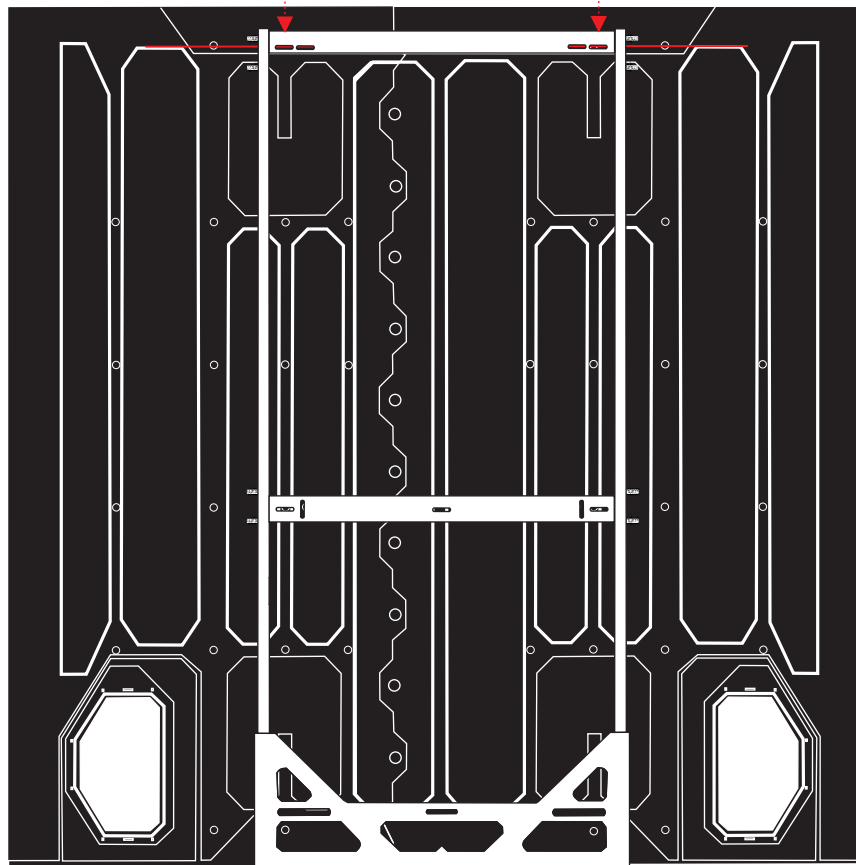
Mount the cab side cross member to the to the deck using a 2" x 5/16"-18 bolt, flat washer, sealing washer and lock nut as illustrated below. Repeat to the opposite side.

Note: The sealing washer will rest between the BEDSLIDE® frame and deck.

Do not tighten!



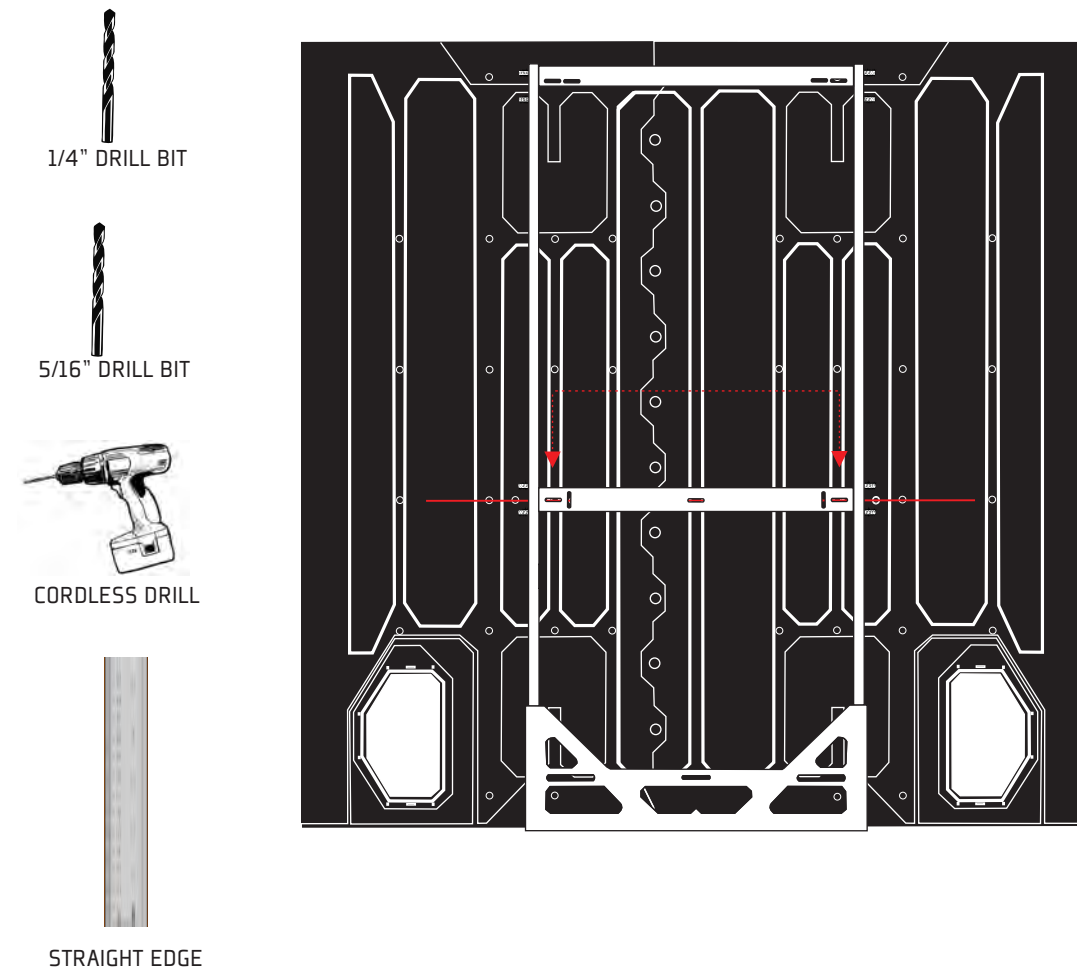
CAB SIDE



MARK & DRILL CENTER CROSS MEMBER MOUNTING HOLES

Locate steel tube on deck panel located near the center cross member mounting holes.

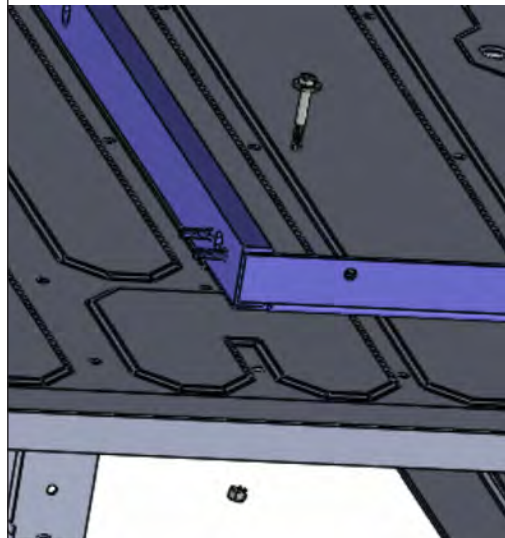
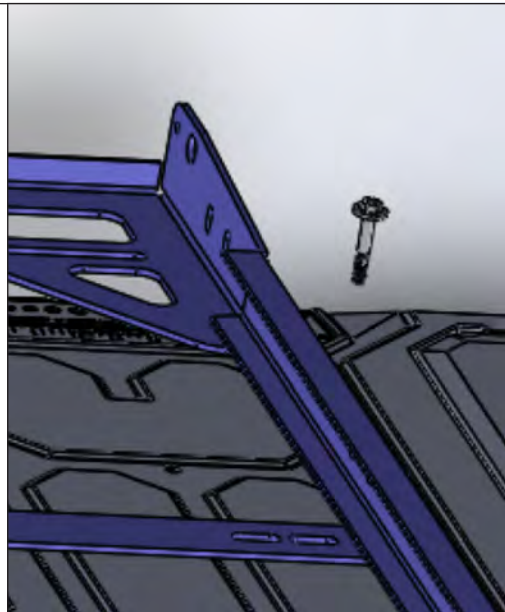
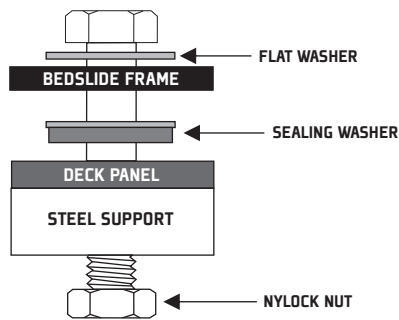
NOTE: Dimples in the panels indicate location of steel tubes. Using a straight edge or level, mark a center line on the dimples found on the panel. Center the holes on the cross member to the marked center line. With all the holes centered, drill pilot holes directly through the center of your marked line at each cross member hole using a 1/4" bit. Once pilot holes have been drilled make certain the holes are centered to the steel support tube of the DECKED® system. Finish drilling out the holes with a 5/16" bit. **If necessary, remove HDPE plastic from around pilot holes with a hammer and chisel as shown on page 5.**



FASTEN BEDSLIDE® TO THE DECKED® SYSTEM

Secure the BEDSLIDE® base frame using a 2" x 5/16" bolt, 3/8 flat washer, sealing washer and nyloc nut at each mounting location as illustrated below. Tighten all mounting hardware using a 1/2" wrench.

CENTER CROSS MEMBER

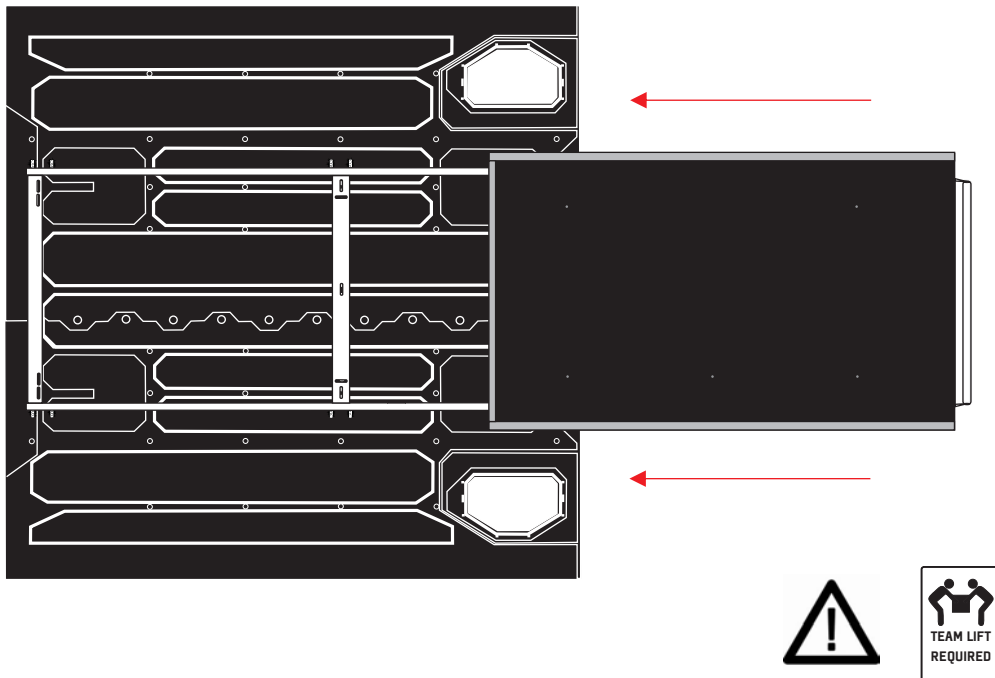
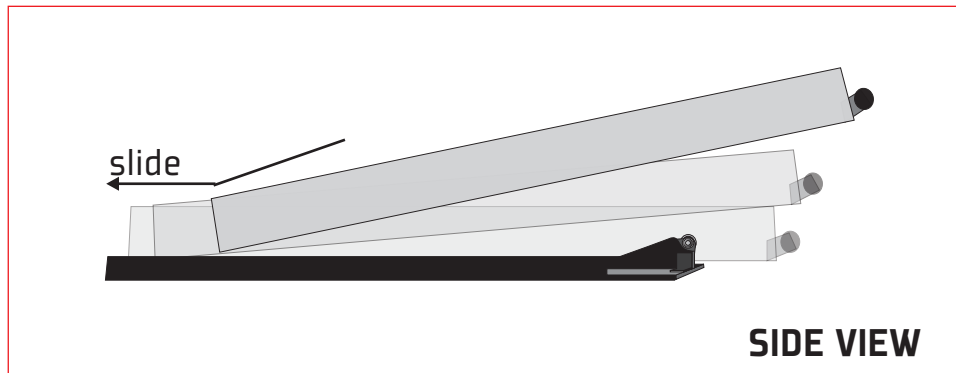


CAB SIDE

RE-INSTALL TOP FRAME

Re-install the BEDSLIDE® top frame into the base by placing top frame over the rear bearings and sliding the frame forward to the stowed position.

That's it! Your BEDSLIDE® install is complete!





WARNING: adding a BEDSLIDE® or making any modifications to the DECKED® system may put your or others at risk of bodily harm. Although this installation technique is valid, we do not guarantee that any slide or installation techniques will work in all applications. Installation procedures will vary and these instructions are intended for the 5' and 6' mid size applications only! Installing slides on or making any modifications to the DECKED® system is entirely at the risk of the installer. We do not recommend using a slide with a weight capacity greater than 1,000 lbs. Modifying a DECKED® system may void the applicable warranty.